

**Industrial L3 Multi-Port Gigabit  
Managed Ethernet Switch**

**IGS-6325 DIN-rail Series  
Quick Installation Guide**

# Table of Contents

1. Package Contents.....	3
2. Requirements.....	5
3. Wiring the Power Inputs .....	6
3.1 Grounding the Device.....	9
4. Terminal Setup.....	10
4.1 Logging on to the Console.....	11
4.2 Configuring IP Address via Console .....	12
5. Starting Web Management .....	14
5.1 Logging in to the Industrial Managed Switch .....	15
5.2 Saving Configuration via Web .....	17
6. Recovering Back to Default Configuration .....	18
7. Customer Support .....	20

## 1. Package Contents

Thank you for purchasing PLANET L3 Industrial Managed Switch, IGS-6325 DIN-rail series. The descriptions of these models are as follows:

IGS-6325-16P4S	Industrial L3 16-Port 10/100/1000T 802.3at PoE + 4-Port 100/1000X SFP Managed Ethernet Switch
IGS-6325-16T4S	Industrial L3 16-Port 10/100/1000T + 4-Port 100/1000X SFP Managed Ethernet Switch
IGS-6325-16T4X	Industrial L3 16-Port 10/100/1000BASE-T + 4-Port 10GBASE-X SFP Managed Switch
IGS-6325-8T4X	Industrial L3 16-Port 10/100/1000T + 4-Port 100/1000X SFP Managed Ethernet Switch
IGS-6325-8T8S	Industrial L3 16-Port 10/100/1000BASE-T + 4-Port 10GBASE-X SFP Managed Switch
IGS-6325-8T8S4X	Industrial L3 8-Port 10/100/1000T + 8-Port 100/1000X SFP + 4-Port 10G SFP+ Managed Ethernet Switch
IGS-6325-8UP2S	Industrial L3 8-Port 10/100/1000T 802.3bt PoE + 2-Port 1G/2.5G SFP Managed Ethernet Switch
IGS-6325-8UP2S2X	Industrial L3 8-Port 10/100/1000T 802.3bt PoE + 2-Port 1G/2.5G SFP + 2-Port 10G SFP+ Managed Ethernet Switch

“**Industrial Managed Switch**” mentioned in this Quick Installation Guide refers to the above models.

Open the box of the **Industrial Managed Switch** and carefully unpack it. The box should contain the following items:

	The Industrial Managed Switch	DB9 to RJ45 Interface RS232 Console Cable	Quick Installation Guide sheet	Wall Mounting Kit	RJ45 Dust Cap	SFP Dust Cap
IGS-6325-16P4S	■	■	■	■	17	4
IGS-6325-16T4S	■	■	■	■	17	4
IGS-6325-16T4X	■	■	■	■	17	4
IGS-6325-8T4X	■	■	■	■	9	4
IGS-6325-8T8S	■	■	■	■	9	8
IGS-6325-8T8S4X	■	■	■	■	9	12
IGS-6325-8UP2S	■	■	■	■	9	2
IGS-6325-8UP2S2X	■	■	■	■	9	4

If any of these are missing or damaged, please contact your dealer immediately. If possible, retain the carton including the original packing materials to enable you to repack the product in case there is a need to return it to us for repair.

---

## 2. Requirements

The Industrial Managed Switch provides remote login interface for management purposes. The following equipment is necessary for further management:

- **Workstations** running Windows XP/2003/7/10/11, MAC OS 10.15 or later, Linux, UNIX, or other platforms are compatible with TCP/IP Protocols.
- Workstations are installed with Ethernet NIC (Network Interface Card).
- **Serial Port Connection** (Terminal)
  - The above Workstations come with **COM Port** (DB9) or USB-to-RS232 converter.
  - The above Workstations have been installed with **terminal emulator**, such as Hyper Terminal included in Windows XP/2003, putty or tera term.
  - **Serial cable** -- one end is attached to the RS232 serial port, while the other end to the **console port** of the Industrial Managed Switch.
- **Ethernet Port Connection**
  - **Network cables** -- Use standard network (UTP) cables with RJ45 connectors.
  - The above PC is installed with **Web browser**.



Note

It is recommended to use Chrome 98.0.xxx or above to access the Industrial Managed Switch.

### 3. Wiring the Power Inputs

The Upper Panel of the **Industrial Managed Switch** indicates an inlet power socket and consists of one green terminal block connector within 6 contacts. Please follow the steps below to insert the power wire.

Insert positive/negative DC power wires into Contacts 1 and 2 for Power 1, or Contacts 5 and 6 for Power 2.

#### ■ IGS-6325-16P4S: DC 48-56V

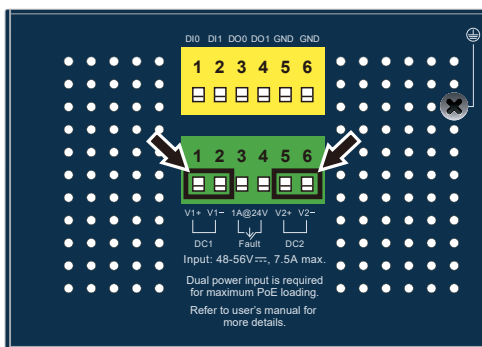


Figure 3-1: IGS-6325-16P4S Upper Panel

#### ■ IGS-6325-16T4S: DC 9-48V, AC 24V

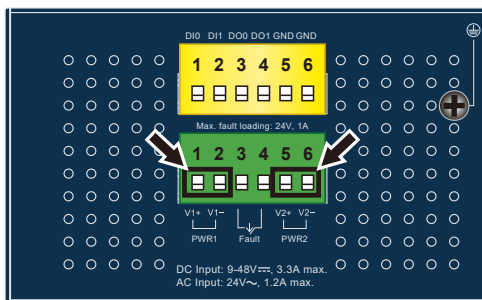


Figure 3-2: IGS-6325-16T4S Upper Panel

■ **IGS-6325-16T4X:** DC 9-48V, AC 24V

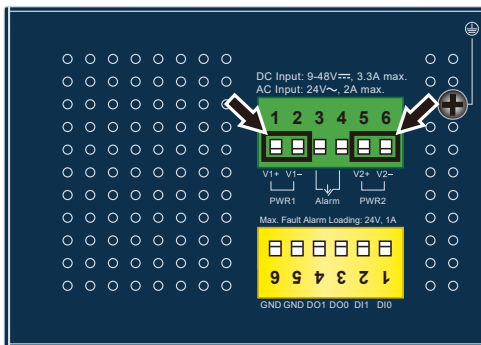


Figure 3-3: IGS-6325-16T4X Upper Panel

■ **IGS-6325-8T4X/IGS-6325-8T8S/IGS-6325-8T8S4X:** DC 12~48V, AC 24V

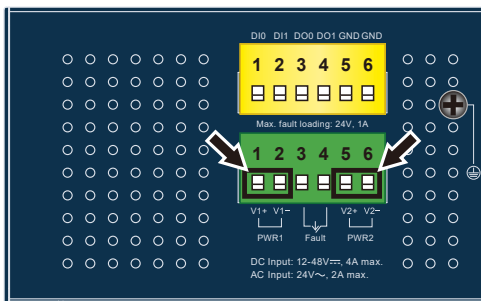
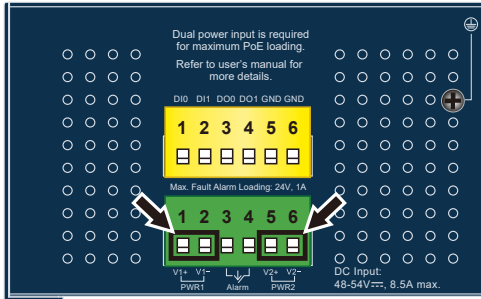


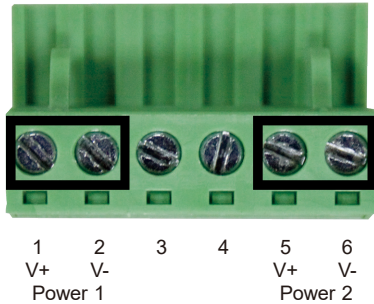
Figure 3-4: IGS-6325-8T4X/IGS-6325-8T8S/IGS-6325-8T8S4X Upper Panel

■ IGS-6325-8UP2S/IGS-6325-8UP2S2X: DC 48~54V



**Figure 3-5:** IGS-6325-8UP2S/IGS-6325-8UP2S2X Upper Panel

Tighten the wire-clamp screws for preventing the wires from loosening.



**Figure 3-6:** The pin of 6-contact terminal block connector



Note

1. The wire gauge for the terminal block should be in the range from **12 to 24 AWG**.
2. Please check the wire AWG Ampere specification before connecting PLANET Industrial Managed Switch.



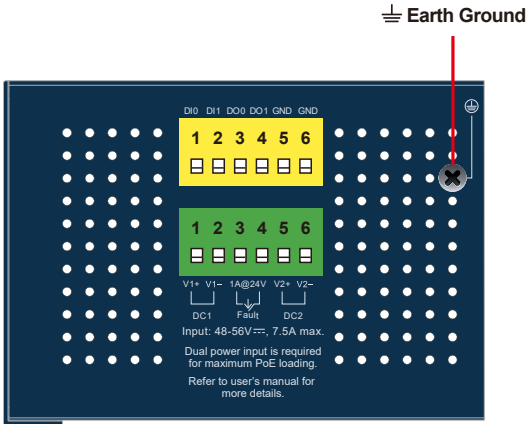
Caution

PWR1 and PWR2 must provide the **same DC voltage** for power load balance while operating with dual power input.



### 3.1 Grounding the Device

Users **MUST** complete grounding wired with the device; otherwise, a sudden lightning could cause fatal damage to the device.



## 4. Terminal Setup

To configure the system, connect a serial cable to a **COM port** on a PC or notebook computer and to RJ45 type serial (console) port of the Industrial Managed Switch.

IGS Industrial Managed Switch



Console Port  
115200,N,8,1



RJ45 to DB9 RS232 Cable

PC/Workstation with  
Terminal Emulation Software

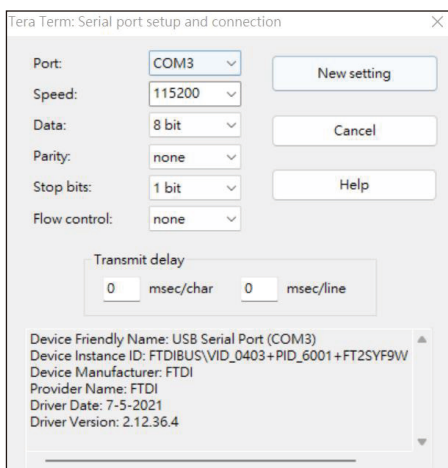


Serial Port

A terminal program is required to make the software connected to the Industrial Managed Switch.

1. Run terminal program on the OS.
2. When the following screen appears, make sure that the COM port should be configured as:

- ◆ Baud: 115200
- ◆ Parity: None
- ◆ Data bits: 8
- ◆ Stop bits: 1
- ◆ Flow control: None



## 4.1 Logging on to the Console

Once the terminal has been connected to the device, power on the Industrial Managed Switch and the terminal will display “running testing procedures”.



### Note

The following console screen is based on the IGS-6325-16P4S. The display of the IGS-6325 series is the same as that of the IGS-6325-16P4S.

Then, the following message asks to log in user name and password. The factory default user name and password are shown as follows as the login screen in Figure 4-1 appears

User Name: **admin**

Password: **admin**



**Figure 4-1:** Console Login Screen

The user can now enter commands to manage the Industrial Managed Switch. For a detailed description of the commands, please refer to the following chapters.



### Note

1. For security reason, **please change and memorize the new password after this first setup.**
2. Only accept command in lowercase letter under console interface.

## 4.2 Configuring IP Address via Console

The Industrial Managed Switch is shipped with default IP address shown below:

```
IP Address: 192.168.0.100  
Subnet Mask: 255.255.255.0
```

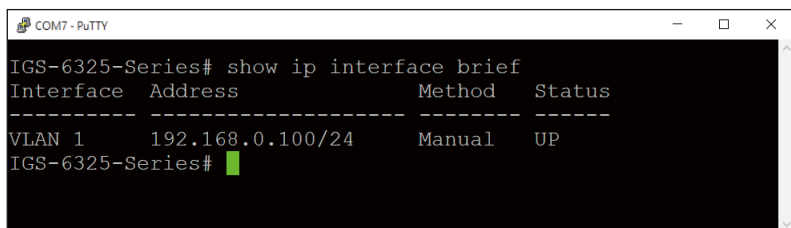
To check the current IP address or modify a new IP address for the Switch, please use the procedure as follows:

### ■ Display of the current IP Address

1. At the “#” prompt, enter “**show ip interface brief**”.

```
IGS-6325-Series # show ip interface brief
```

2. The screen displays the current IP address shown in Figure 4-2.



```
COM7 - PuTTY  
IGS-6325-Series# show ip interface brief  
Interface  Address                Method  Status  
-----  
VLAN 1     192.168.0.100/24        Manual  UP  
IGS-6325-Series#
```

Figure 4-2: IP Information Screen

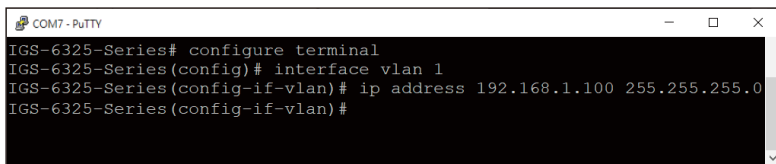
### ■ Configuration of the IP Address

3. At the “#” prompt, enter the following command and press **<Enter>** as shown in Figure 4-3.

```
IGS-6325-Series# configure terminal  
IGS-6325-Series (config)# interface vlan 1  
IGS-6325-Series (config-if-vlan)#ip address 192.168.1.100 255.255.255.0
```

The previous command would apply the following settings for the Industrial Managed Switch.

IP Address: **192.168.1.100**  
Subnet Mask: **255.255.255.0**



```
COM7 - PuTTY
IGS-6325-Series# configure terminal
IGS-6325-Series(config)# interface vlan 1
IGS-6325-Series(config-if-vlan)# ip address 192.168.1.100 255.255.255.0
IGS-6325-Series(config-if-vlan)#
```

Figure 4-3: Configuring IP Address Screen

4. Repeat step 1 to check if the IP address has changed.

#### ■ Storing current switch configuration

5. At the “#” prompt, enter the following command and press **<Enter>**.

**# copy running-config startup-config**



```
COM7 - PuTTY
IGS-6325-Series# copy running-config startup-config
Building configuration...
do not reset or power off the device!
% Saving 5757 bytes to flash:startup-config
IGS-6325-Series#
```

Figure 4-4: Saving Current Configuration Command Screen

If the IP is successfully configured, the Industrial Managed Switch will apply the new IP address setting immediately. You can access the Web interface of the Industrial Managed Switch through the new IP address.



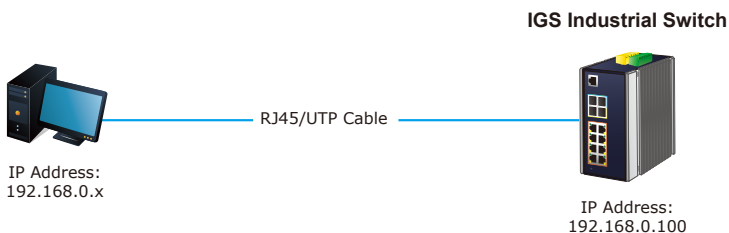
#### Note

If you are not familiar with the console command or the related parameter, enter “**help**” anytime in console to get the help description.

## 5. Starting Web Management

The following shows how to start up the **Web Management** of the Industrial Managed Switch. Note the Industrial Managed Switch is configured through an Ethernet connection. Please make sure the manager PC must be set to the same **IP subnet address**.

For example, the default IP address of the Industrial Managed Switch is **192.168.0.100**, then the manager PC should be set to **192.168.0.x** (where x is a number between 1 and 254, except 100), and the default subnet mask is 255.255.255.0.



**Figure 5-1:** IP Management Diagram

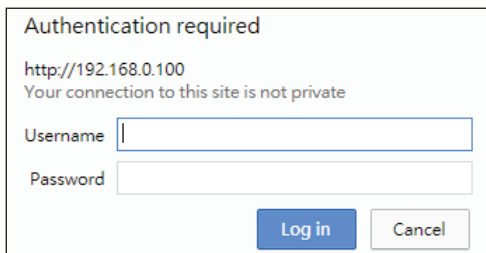
## 5.1 Logging in to the Industrial Managed Switch

1. Use Chrome 98.0.xxx or above for Web browser and enter IP address **https://192.168.0.100** (the factory-default IP address) to access the Web interface.
2. When the following dialog box appears, please enter the default user name **"admin"** and password **"admin"** (or the password you have changed before) as shown in Figure 5-2.

Default IP Address: **192.168.0.100**

Default User Name: **admin**

Default Password: **admin**



The dialog box is titled "Authentication required" and shows the URL "http://192.168.0.100". Below the URL, it states "Your connection to this site is not private". There are two input fields: "Username" and "Password". At the bottom right, there are two buttons: "Log in" and "Cancel".

Figure 5-2: Login Screen

3. After entering the password, the main screen appears as shown in Figure 5-3.

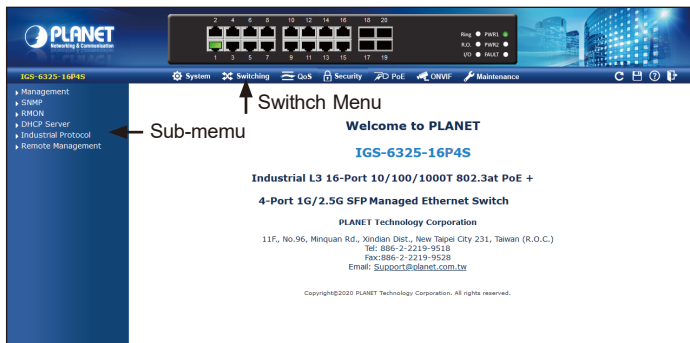


Figure 5-3: Web Main Screen of Industrial Managed Switch

The Switch Menu on the top of the Web page lets you access all the commands and statistics the Industrial Managed Switch provides. The Switch Menu always contains one or more buttons, such as "System", "Switching", "Routing", "QoS", "Security", "PoE", "Ring", "ONVIF" and "Maintenance".



Figure 5-4: Switch Menu



Figure 5-5: Switch Sub-menu

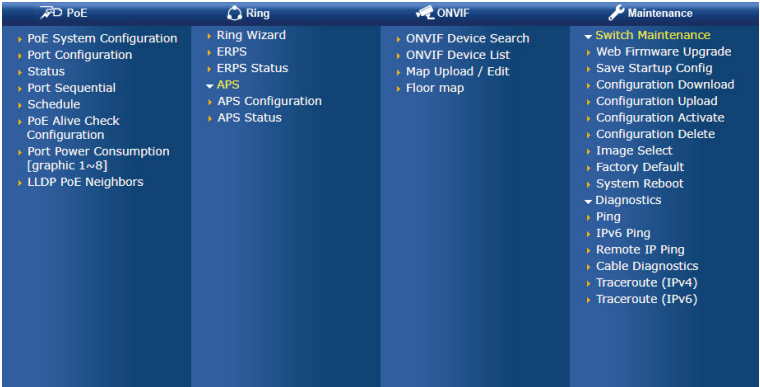


Figure 5-6: Switch Sub-menu



Now, you can use the Web management interface to continue the Switch management. Please refer to the user manual for more.



Note

If you are not familiar with Switch functions or the related parameter, press **"Help icon"** anytime on the Web page to get the help description.

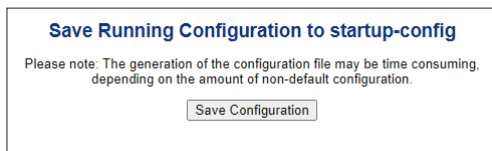
## 5.2 Saving Configuration via Web

To save all applied changes and set the current configuration as a startup configuration, the startup-configuration file will be loaded automatically across a system reboot.

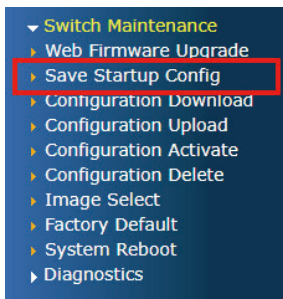
1. Click the **Save** icon on the top Switch Menu bar.



2. Press the **"Save Configuration"** button.



3. Or the other way to save the setting is to Click **Maintenance, Save Startup Config.**



## 6. Recovering Back to Default Configuration

### ■ IP address has been changed or admin password has been forgotten –

To reset the IP address to the default IP address “**192.168.0.100**” and the user password to factory default mode (default password is **admin**), press the hardware-based **reset button** on the front panel for about **10 seconds**. After the device is rebooted, you can log in the management Web interface within the same subnet of 192.168.0.xx and default password. Be noted that all the previous setups will be disappeared after the factory default reset is made.

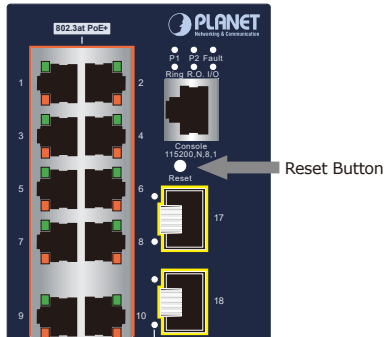


Figure 6-1: IGS-6325-16P4S/IGS-6325-16T4X Reset Button

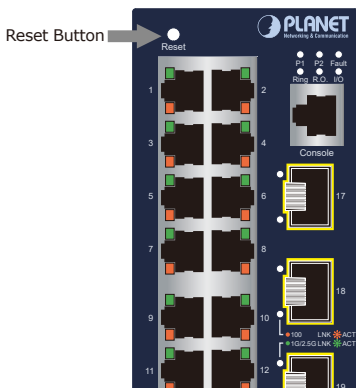
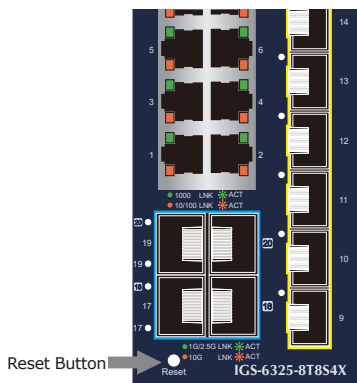
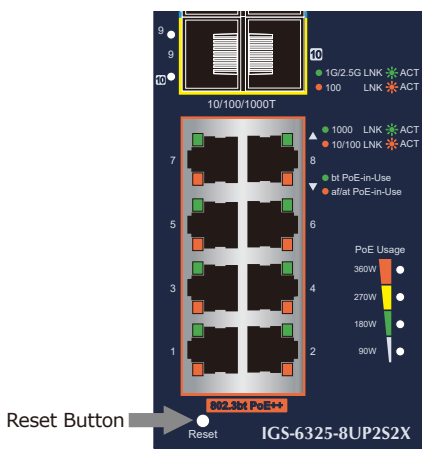


Figure 6-2: IGS-6325-16T4S Reset Button



**Figure 6-3:** IGS-6325-8T4X/IGS-6325-8T8S/IGS-6325-8T8S4X Reset Button



**Figure 6-4:** IGS-6325-8UP2S/IGS-6325-8UP2S2X Reset Button

## 7. Customer Support

Thank you for purchasing PLANET products. You can browse our online FAQ resource on PLANET web site first to check if it could solve your issue. If you need more support information, please contact PLANET switch support team.

PLANET online FAQs:

<http://www.planet.com.tw/en/support/faq>

Switch support team mail address:

[support@planet.com.tw](mailto:support@planet.com.tw)

IGS-6325-DIN-rail Series User's Manual:

<https://www.planet.com.tw/en/support/downloads?&method=keyword&keyword=IGS-6325&view=3#list>



(Please select your switch model name from the Product Model drop-down menu)

Copyright © PLANET Technology Corp. 2023.

Contents are subject to revision without prior notice.

PLANET is a registered trademark of PLANET Technology Corp.

All other trademarks belong to their respective owners.